

GX550

# PRINSU LADDER



## Applications

installation instructions

These installation instructions apply to the following Prinsu Design Studio products

– **Lexus GX550** Clamp on Ladder | 2025 +

## IMPORTANT!

**Thank you** for purchasing this Prinsu Design Studio product. Please read through this entire document before proceeding with installation. If you are not confident in your mechanical skills, please seek the help of a professional to perform the installation. Check your packages immediately upon arrival to ensure that everything listed is included, and to check for damage during shipping. ***If anything is missing or damaged, or if you need technical assistance with any aspect of this installation, call Prinsu Design Studio at (866) 522-0697 as soon as possible.***

# IMPORTANT!

All products built and designed by Prinsu Design Studio are intended for off-road use and should be assembled, installed, and used according to Prinsu Design Studio's recommendations. Prinsu Design Studio products should be used safely with good judgment towards others and the environment. By installing Prinsu Design Studio

Products on your vehicle you assume all liability. Prinsu Design Studio will not be held liable for damages or loss associated with the installation or use of its products.

Be smart, use good judgement, don't overload your vehicle to the point of inferior handling and maneuverability!

### \*\*\* WARNING\*\*\*

Neither the seller nor the manufacturer will be liable for any loss, damage, or injury directly or indirectly arising from the use of or




inability to determine the use of these products. Before using, the user shall determine the suitability of the product(s) for its intended use(s), and

the user shall assume all responsibility and risk in connection therewith.

### **Note for Dealers and Installers:**

**Read through all instructions before starting install.** It is your responsibility to ensure instructions are given to the end user or client.

# Hardware Included

GX550 Ladder (Clamp On)	
DESCRIPTION	QTY
1/4"-20 x 1-1/2" Steel Carriage Bolt Black Zinc	10
1/4" x .557" - .567" x .044" - .052" Steel Flat Washer	10
1/4"-20 Steel Nylon Insert Black Zinc	10
5/16"-18 Nylon Insert Black Magni	8
5/16"-18 x 1-1/2" Button Head Socket Screw Black Magni	8
5/16" x 3/4" x 0.040" Flat Washer Black Magni	10
5/16"-18 x 3/4" Button Head Socket Screw Black Magni	4
3/8"-16 x 3/4" Steel Carriage Bolt Zinc	2
3/8"-16 Steel Nylon Insert Flange Black Zinc	2
1/2" x x Steel flat Washer	2
3/8" x 13/16" x .062" Steel Flat Washer	2
3/8 Round Caplug - Black	20
1/4"-20 x 3/4" Extended Point Alloy Steel Hex Socket Set Screw Black Oxide	2
1/4-20 Zinc Electroplate Spring Steel Cage Nut	2
ADDITIONAL ITEMS	
	VHB Top Bracket Pad
	Clamp Plate
	VHB Bottom Bracket Pads (3)

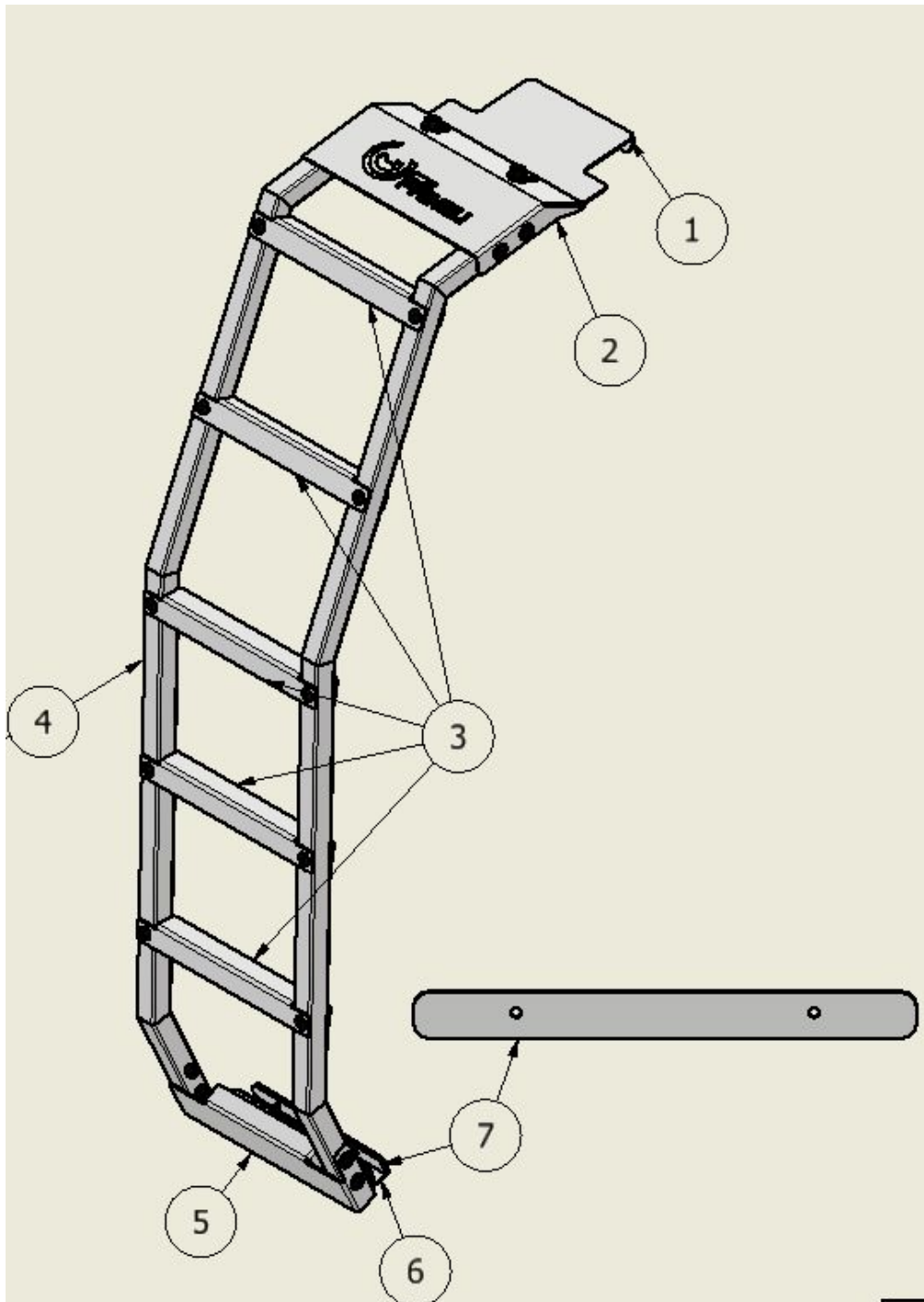
## Tools Required:

- 7/16" Wrench/Socket
- 1/2" Wrench/Socket
- 9/16" Wrench/Socket
- 3/16" Allen
- 5/32" Allen
- 7/32" Allen
- Glass cleaner or Isopropyl alcohol

## Est. Installation Time:

- 1 hour

# Parts Included



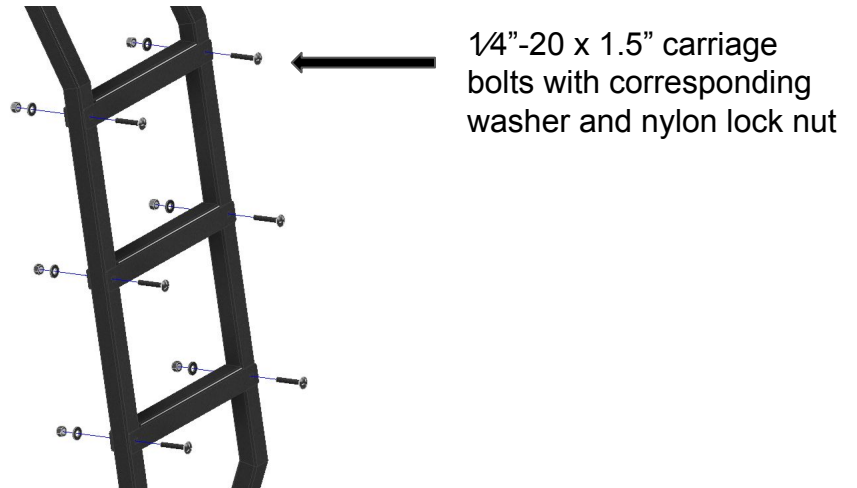
## PARTS LIST

ITEM	QTY	PART NO.	DESCRIPTION
1	1	0003818	Top Hatch Mounting Plate
2	1	0005292	Ladder Top Cap
3	5	0002954	Ladder Rung
4	2	0003814	Ladder Side Rail (Flat)
5	1	0008471	GX 550 Bottom Mounting Bracket (Clamp On)
6	1	0008201	Bottom Hatch Bolt On Clamp Bracket
7	1	0006890	Hatch Clamping Plate

# Installation

Fasten ladder rungs to side rails using carriage bolts.

- Use (2) 1/4"-20 x 1.5" carriage bolts per rung with corresponding washer and nylon lock nut on the backside.
- Fasten first rung to upper most mounting locations on side rails. Then, skip one mounting location downward and place the next rung. Repeat the process with all rungs.
- The additional rung locations were added purely for customization purposes.



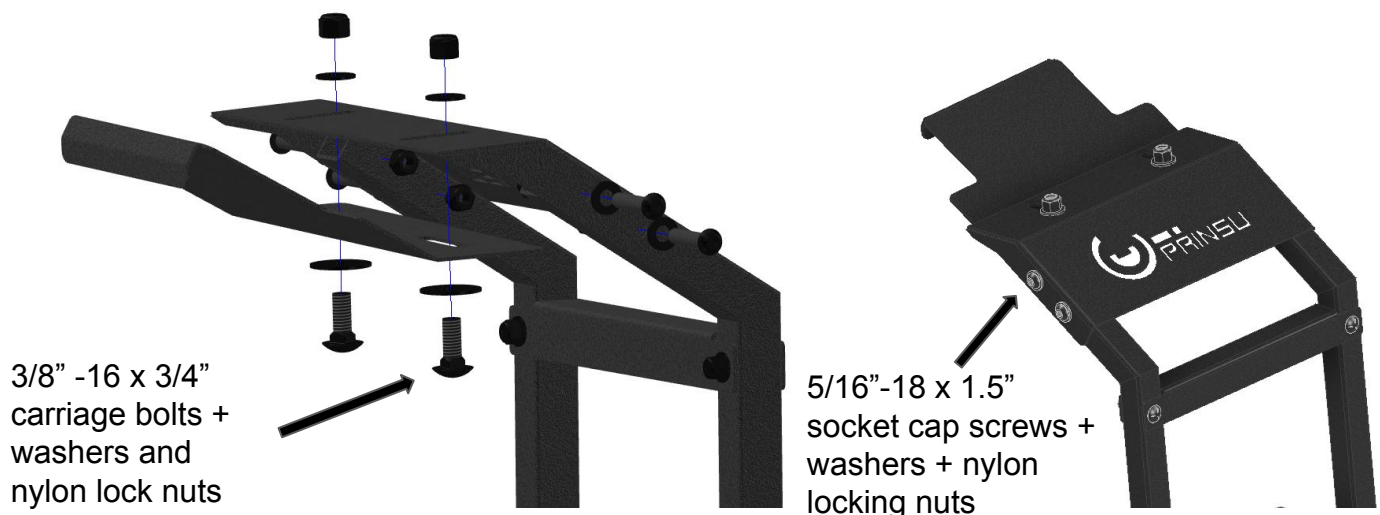
Fasten ladder top cap to the top of the side rails. (Prinsu Logo Bracket)

- This will require (4) of the 5/16"-18 x 1.5" socket cap screws with their corresponding washers and nylon lock nuts.

Top hatch mounting plate will be fastened to the inner top face of the ladder top cap.

**Recommended to leave this unbolted until top hatching mounting plate is adhered to hatch.**

- This will require (2) of the 3/8" -16 x 3/4" carriage bolts as well as corresponding washers and nylon lock nuts.
- Leave the fasteners somewhat loose in the slots for final adjustment of the bracket when it comes time to secure the ladder to the top hatch mounting plate.



Apply the adhesive pad to the bottom side of the top hook bracket.

- Make sure to only peel off one side to start.
- You will need to temporarily place the ladder on the vehicle without adhering it to measure and place the ladder in the correct position.



Place the ladder on the vehicle and hook the top bracket onto the hatch. From here you're going to **MEASURE (9")** from the inner side of the track on the roof of the vehicle, to this specified edge on the top hatch mounting bracket. From there, mark this location with a piece of painters tape to remember the location.

- DO NOT remove the other side of the adhesive pad yet for this step.
- Remove the ladder from the hatch once marking tape has been placed.

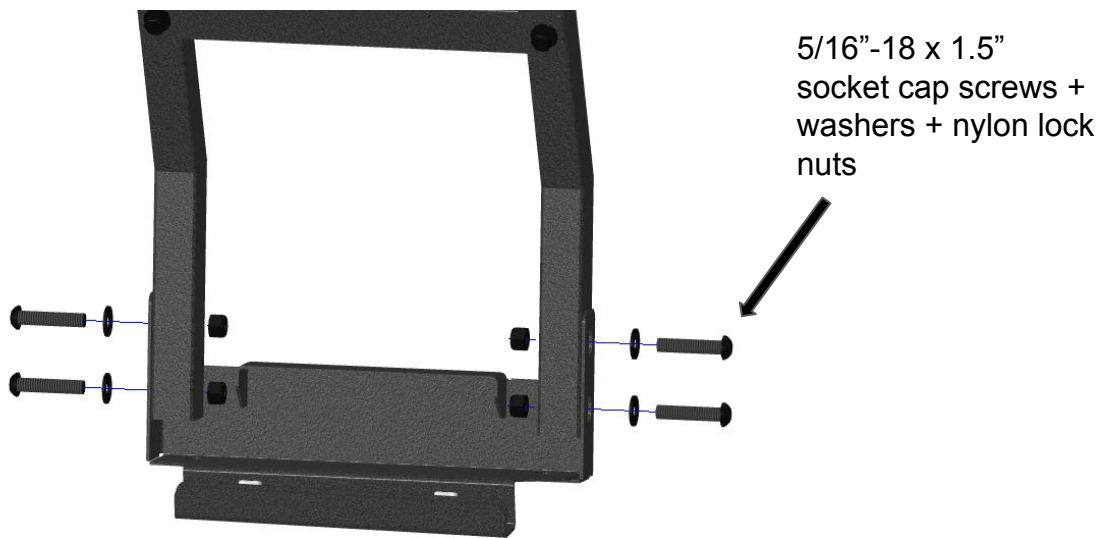


Remove adhesive pad backing on the top hook bracket, and locate the top hatch mounting bracket in the marked location with the tape.

- When hooking the bracket into the top of the hatch, make sure to not stick the adhesive pad prematurely until located correctly along the tape's edge.
- Press down firmly on the top of the hook bracket to ensure proper adhesion of the pad on top of the hatch.
- **Ladder can now be installed on to the top mounting bracket as shown on previous page.** While ladder is hanging on the vehicle, you'll want to place something to protect the front face of the hatch from the side rails. (Small towel, blanket, etc.)

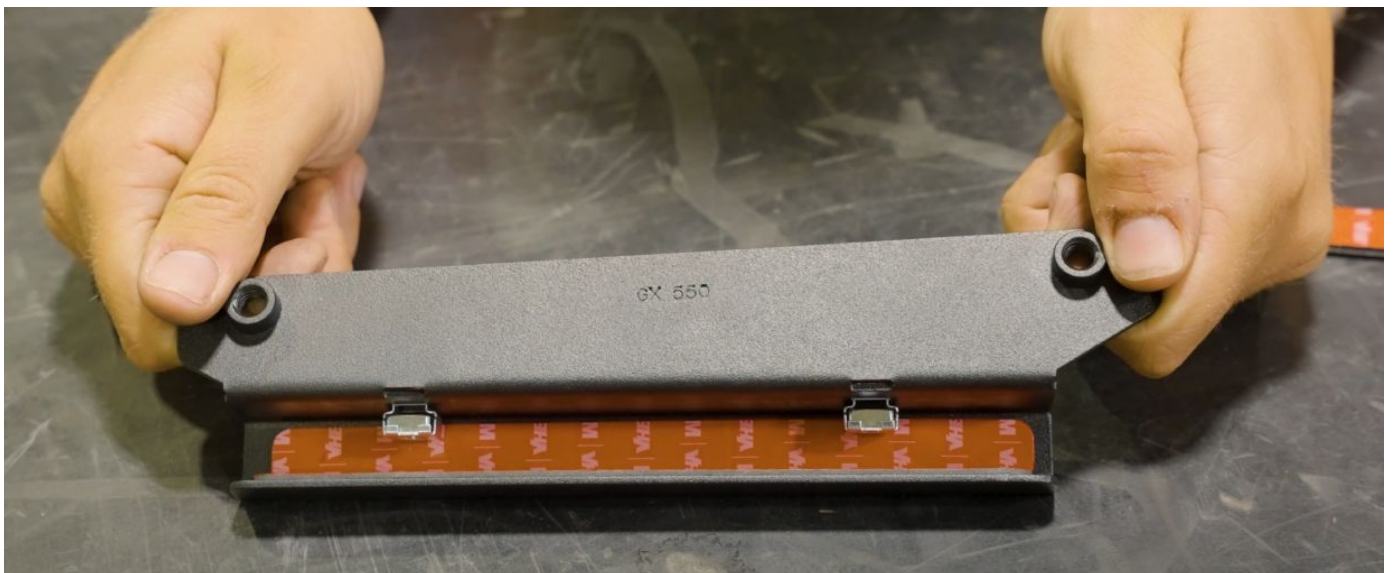
Fasten the bottom ladder bracket to the bottom of the side rails.

- This will require (4) of the 5/16"-18 x 1.5" socket cap screws with their corresponding washers and nylon lock nuts.



Apply (2) smaller 3m adhesive strips to the clamping area that will come in contact with the outside of the vehicle rear hatch. Then, press the cage nuts into the square holes on the inside of the clamping area of the bracket.

- DO NOT remove both sides of adhesive backing until both bottom brackets are fastened together.
- Fasten the clamp bracket to the bottom ladder bracket's inner bottom face. DO NOT tighten bolts until ladder bracket has been adhered to the hatch.
- This will require (2) of the 5/16"-18 x .75" socket cap screws and corresponding washers.



Once the ladder is level vertically, remove the other side of the adhesive backing of the 3m pads on the clamping bracket and press the adhesive pad onto the inside of the hatch.



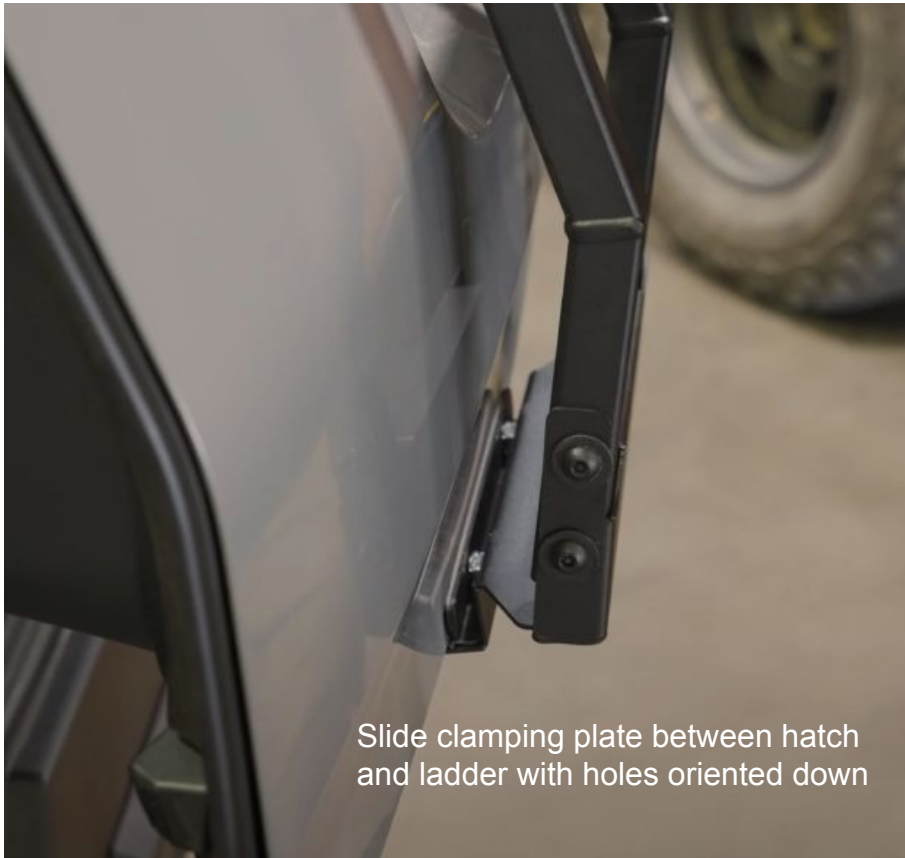
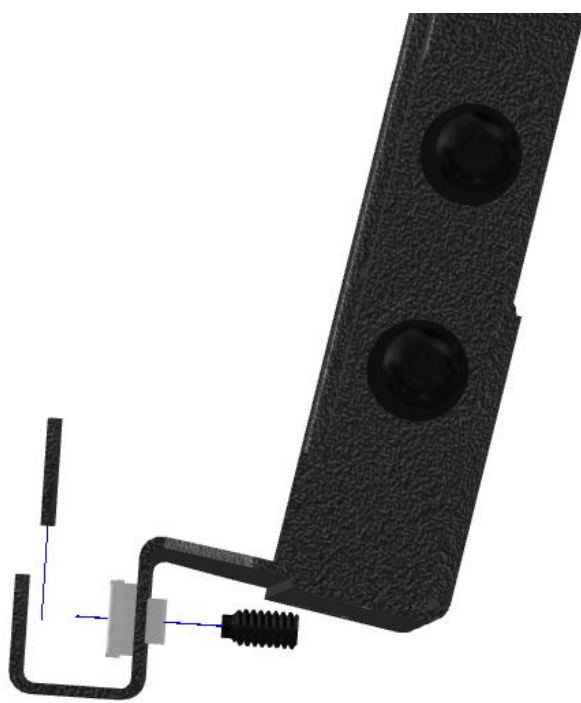
Place the last strip of 3m adhesive pad onto either side of the clamping plate. Then remove the other side of the adhesive backing in preparation for the final step.

With the ladder in place and being held with the other 3m pads, proceed to insert the clamping plate in the space in between the clamping plate and the inside of the hatch.

- Notice that the holes are offset to one side on the clamping plate. You'll want to orient the holes favoring downward.

Use the shouldered allen set screws and thread them through the cage nuts from the outside of the clamping plate. Align the shoulder of the set screw with the holes on the clamping plate and tighten down the set screws until the clamping plate is tight up against the vehicle.

- It's recommended to use some thread locker on these set screws to prevent them from backing out after prolonged use.



Proceed to finish tightening down the socket cap allen screws that fasten the ladder top cap and top hook bracket together.

- Ensure that the hook bracket is in the ideal location in the slots and that there's no upward force that could potentially detach the adhesive pad after time.



Place the ladder side rail plugs in the rung locations that are not being occupied.

**For further information and assistance please call  
customer service: (866) 522-0697**

## FAQ

**Q: Does the Prinsu Ladder fit all GX550 trims?**

A: Yes. The ladder is designed for all trims of the 2025+ Lexus GX550.

**Q: How much weight can the ladder support?**

A: The ladder supports up to **260 lbs**, making it safe for climbing with gear.

**Q: Will the ladder block my backup camera or rearview visibility?**

A: No, the slim design ensures no interference with the camera or mirror.

**Q: Do I need to drill holes to install the GX550 ladder?**

A: No. The ladder installs with Prinsu's clamp system—only basic tools required, no drilling.

**Q: Does the ladder work with the GX550's flip-up rear window?**

A: The ladder mounts over the flip-up glass. Once installed, the flip-up window cannot be used. The main hatch and power lift gate remain fully functional.

**Q: Will it affect my power lift gate?**

A: No. The ladder works perfectly with both manual and power lift gates.

**Q: Can I install the ladder myself?**

A: Absolutely. Most customers complete the installation in about an hour with standard tools. Full video and PDF install guides are provided.

**Q: Is it compatible with rooftop tents?**

A: Yes. It's perfect for rooftop tents and eliminates the need for a separate tent ladder.

**Q: Where is the ladder made?**

A: Every Prinsu ladder is manufactured in Idaho Falls, Idaho, USA.

**Q: Is it compatible with CBI swing arm tire carriers?**

A: Yes, it integrates seamlessly with CBI swing arm tire carriers.

## **WARRANTY**

PRINSU DESIGN STUDIO will warranty all PRINSU DESIGN STUDIO manufactured parts for a LIFETIME of use. This limited Lifetime Warranty is effective for as long as the original retail purchaser owns the product. This warranty terminates when the original retail purchaser sells or otherwise transfers the product to any other person. Each manufactured product must be installed following PRINSU DESIGN STUDIO'S recommended fitment and installation procedures. Any customization or modification to the original product design, functionality, or use, either by said customer or by PRINSU DESIGN STUDIO voids all warranty eligibility. It is the sole discretion of PRINSU DESIGN STUDIO to determine warranty eligibility. Subject to the limitations and exclusions described in this warranty, PRINSU DESIGN STUDIO will remedy defects in materials or workmanship by repairing or replacing, at its option, a defective product without charge for parts. In addition, PRINSU DESIGN STUDIO may elect, at its option, not to repair or replace a defective product but rather issue to a purchaser a refund equal to the purchase price paid for the product or a credit to be used toward the purchase of a new PRINSU DESIGN STUDIO product. No warranty is given for defects caused by normal wear and tear, cosmetic rust, scratches, accidents, unlawful vehicle operation, products used for racing or competition, or modification of, or any types of repair of, a PRINSU DESIGN STUDIO manufactured product. The PRINSU DESIGN STUDIO Warranty does not include the powder coated finish. No warranty is given for defects resulting from conditions beyond PRINSU DESIGN STUDIO'S control including, but not limited to, misuse, neglect, overloading, improperly maintained or failure to assemble, mount or use the product in accordance with PRINSU DESIGN STUDIO'S written instructions or guidelines included with the product or implied use made available to the purchaser.

DISCLAIMER OF LIABILITY REPAIR OR REPLACEMENT OF A DEFECTIVE PRODUCT OR THE ISSUANCE OF A REFUND OR CREDIT (AS DETERMINED BY PRINSU DESIGN STUDIO) IS A PURCHASER'S EXCLUSIVE REMEDY UNDER THIS WARRANTY. DAMAGE TO A PURCHASER'S VEHICLE, CARGO AND/OR TO ANY OTHER PERSON OR PROPERTY IS EXCLUDED. THIS WARRANTY IS EXPRESSLY MADE IN LIEU OF ANY AND ALL OTHER WARRANTIES, EXPRESS OR IMPLIED, INCLUDING THE WARRANTIES OF MERCHANTABILITY AND FITNESS FOR A PARTICULAR PURPOSE. PRINSU DESIGN STUDIO'S SOLE LIABILITY TO ANY PURCHASER IS LIMITED TO THE REMEDY SET FORTH ABOVE. IN NO EVENT WILL PRINSU DESIGN STUDIO BE LIABLE FOR ANY LOST PROFITS, LOST SALES, OR FOR ANY CONSEQUENTIAL, DIRECT, INDIRECT, INCIDENTAL, SPECIAL, EXEMPLARY, OR PUNITIVE DAMAGES OR FOR ANY OTHER DAMAGES OF ANY KIND OR NATURE



792 E Iona Rd.  
Idaho Falls, ID 83274  
prinsu.com  
**866.522.0697**